

FLOW INDICATOR Stainless Steel, Threaded

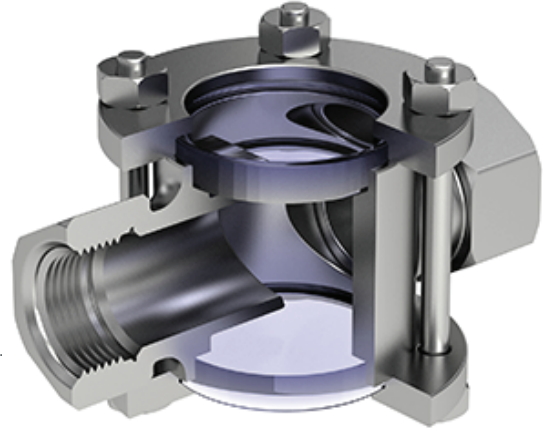
	PN...	PN...
AISI 304	V-MFI-04-04D	V-MFI-04-07D
AISI 316	V-MFI-05-04D	V-MFI-05-07D

Design

Size	: Varnasan
Connection	: BSP (DIN 259), NPT (ASME B.120.1)

Technical Features

Working Pressure	: PN16, PN40 ops.
Working Temperature	: -30°C / +180°C
Usage	: Special imported glass will be used for high temperature.



Certificate

CE0408, TS EN 10204 3.1, ISO 9001:2015, SIL3

Application

Corrosive fluids (acids, bases), pharmaceutical raw materials, food, chemical industry, plastic

NO	PART NAME	STAINLESS STEEL
1	BODY	AISI 304-AISI 316
2	CAP	AISI 304-AISI 316
3	GLASS	TEMPERLED SECURITY GLASS
4	SEALING	PTFE
5	STUDS	STAINLESS

TYPE	SIZE					
	DN	L	d	D _u	D _d	D _b
FLOW INDICATOR, THREADED	1/2"	100	15	18,63	20,96	15
	3/4"	125	20	24,16	26,44	16
	1"	135	25	30,29	33,25	20
	1 1/4"	165	32	38,95	41,91	22
	1 1/2"	185	40	44,85	47,81	22
	2"	220	50	56,66	59,62	26

